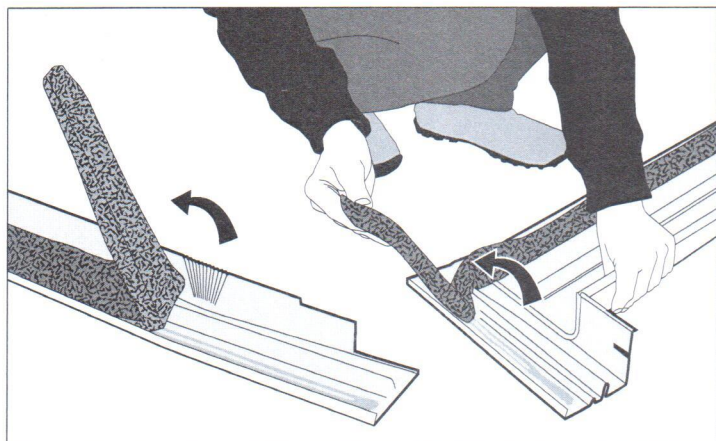
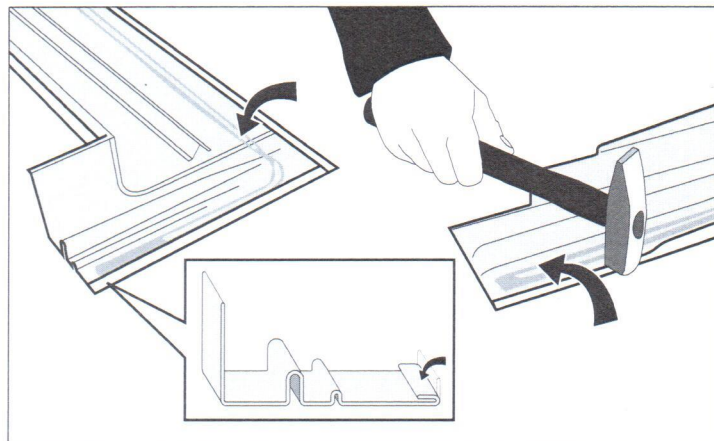


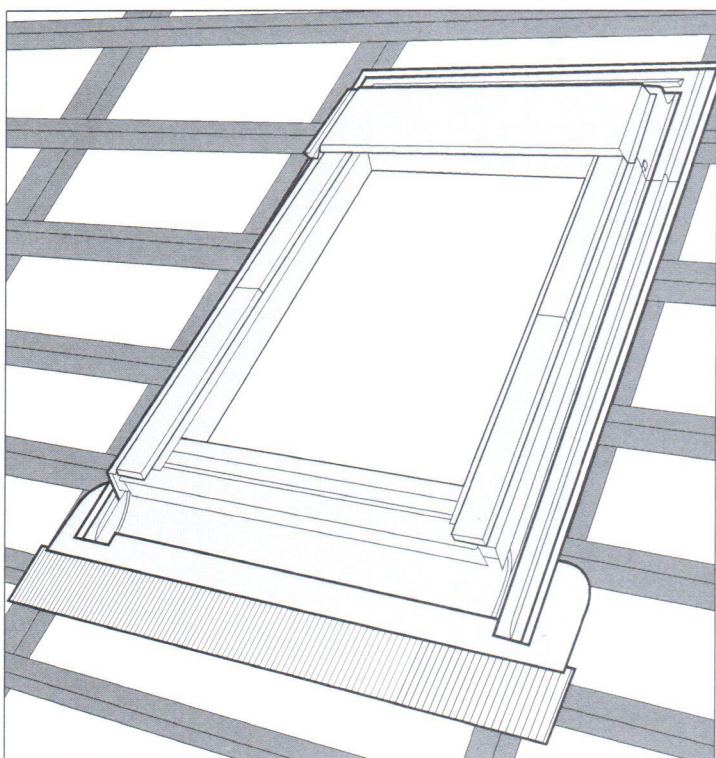
# Roof window installation on slate with **WO and ZO** flashings



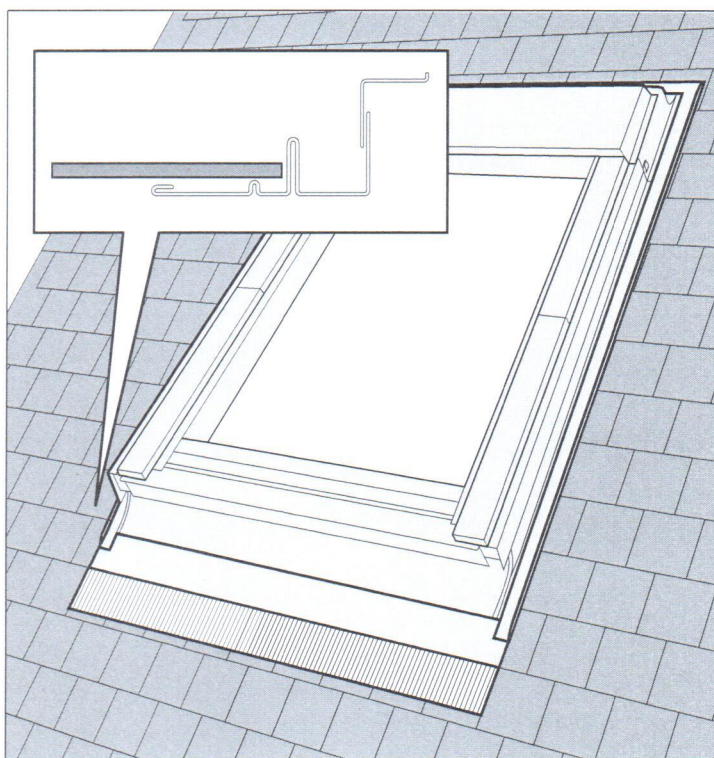
**01** Remove the foam gasket from the side and top flashing sections.



**02** Flatten the back bended edge of the side and top flashing sections.



**03** Install the flashing as instructed on the installation guide.



**04** Cut the slates around the window at the standing reinforcement as shown on the image.